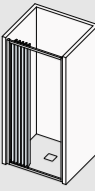
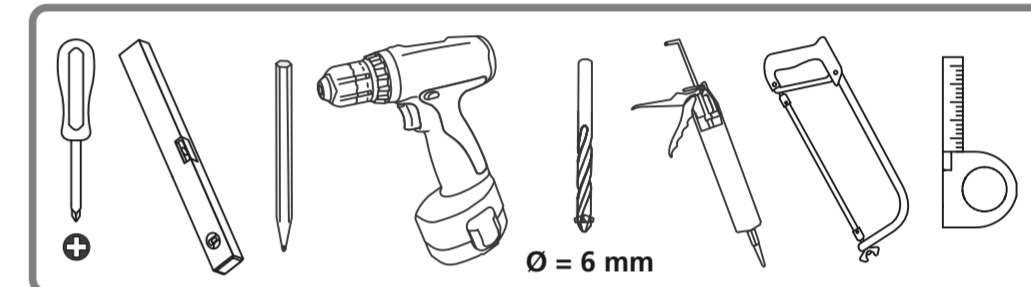


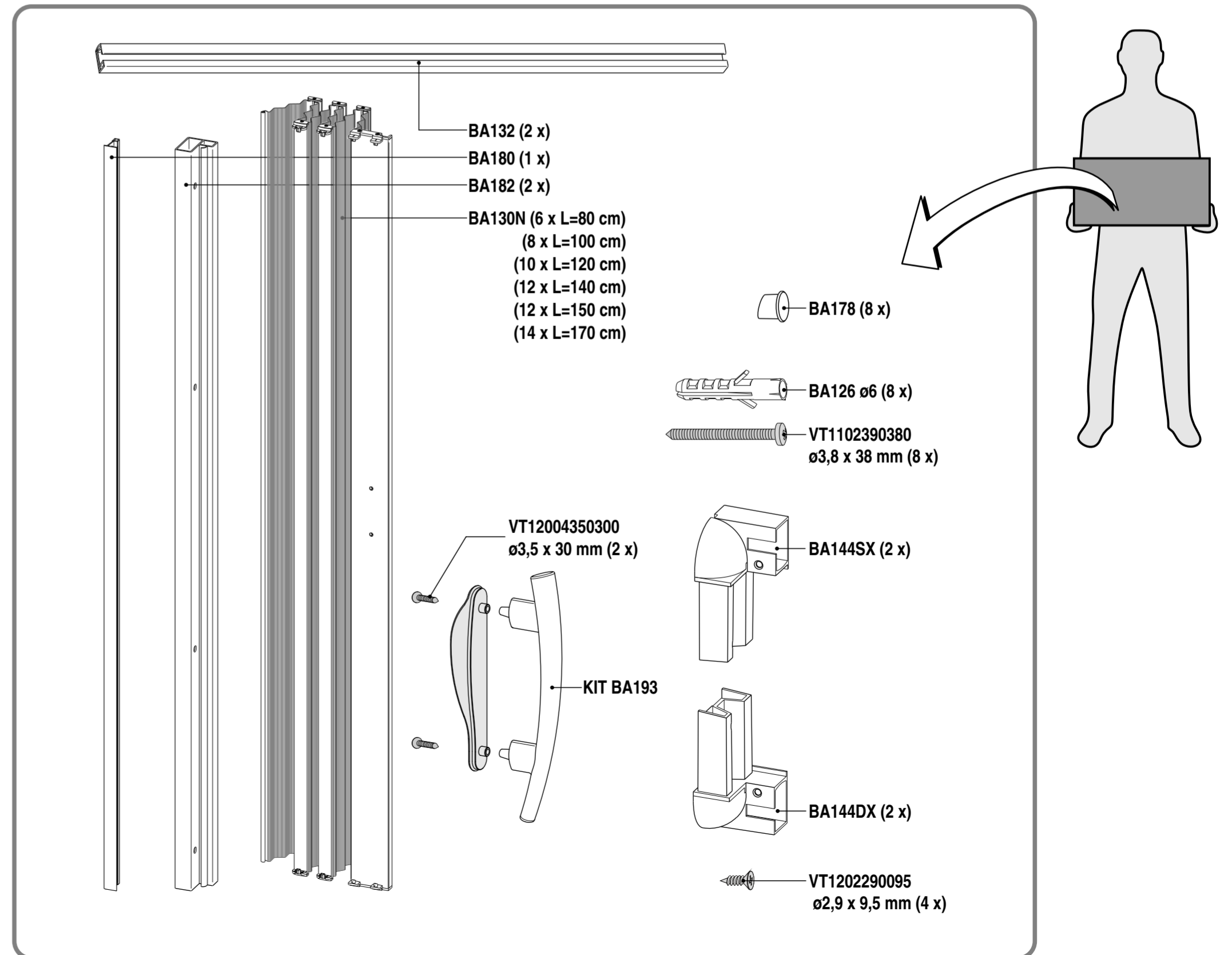
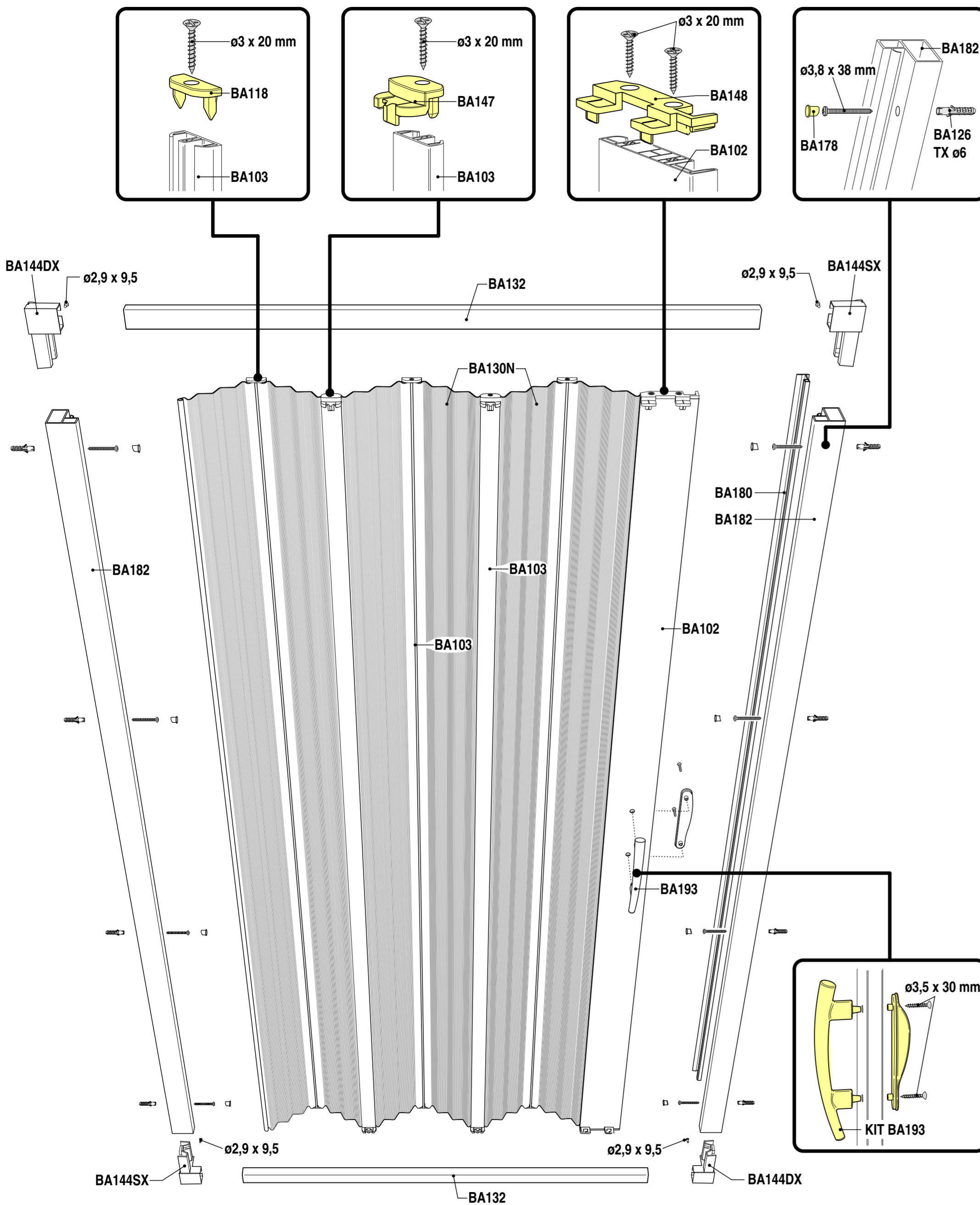
NICCHIA LATERALE



- | | |
|-------------------------------|----------------------------|
| (IT) istruzioni di montaggio | (SE) monteringsanvisning |
| (DE) Montageanleitung | (NO) monteringsanvisning |
| (NL) montagevoorschrift | (FI) asennusohjeet |
| (FR) instructions de montage | (GR) οδηγίες για το μοντάζ |
| (ES) instrucciones de montaje | (PL) sposób montażu |
| (PT) instruções de montagem | (CZ) montážní instrukčtáz |
| (GB) fixing instructions | (SK) montážna inštrukcia |
| (TR) montaj talimatları | (HU) szerelési utasítás |
| (RU) инструкция по монтажу | (EE) montaažiuhis |
| (RO) îndrumări pentru montaj | (LT) montažo instrukcija |
| (LV) montāžas pamācība | (SI) Navodilo za montažo |
| (BG) инструкция за монтаж | (HR) Uputa za montažu |
| (DK) monteringsvejledning | |



CU900079
Rev. 4 del 27.01.2020



- | | | | | | | | |
|------------------------|--------------------------|---------------------------|-------------------------|----------------------------------|----------------------------------|---------------------------|---------------------------------|
| | | | | | | | |
| GREEN PVC
GREEN PVC | H = 185 cm
H = 185 cm | REVERSIBILE
REVERSIBLE | RIDUCIBILE
REDUCIBLE | APERTURA TOTALE
TOTAL OPENING | ANTI BATTERICO
ANTI BATTEICAL | ANTI MUFFA
ANTI MILDEW | ANTI CALCIARE
ANTI LIMESTONE |

